



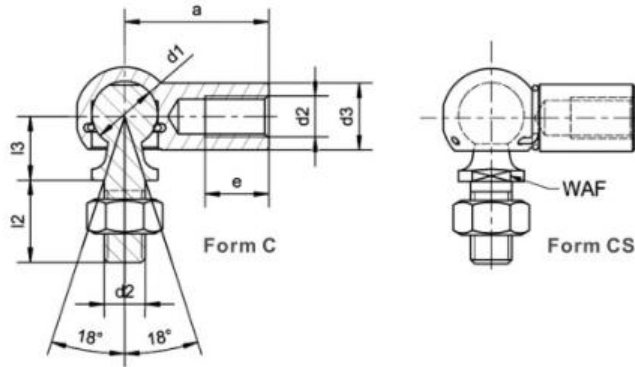
Wuerd Machinery Manufacturing CO., LIMITED

Tel: +86 574 89021823

Fax: +86 574 83029722

E-mail: [sales@wuerd.cn](mailto:sales@wuerd.cn)

Website: [www.wuerd.cn](http://www.wuerd.cn)



Angle joint DIN71802, Form CS

Item	d1 h9	d2	d3	l2 ±0.3	l3 ±0.3	a ±0.3	e min	WAF	Weight (kg/1000pc)
CS8M5	8	M5	8	10.2	9	22	10.2	7	15
CS10M6	10	M6	10	12.5	11	25	11.5	8	25
CS13M8	13	M8	13	16.5	13	30	14	11	53
CS16M10	16	M10	16	20	16	35	15.5	13	104
CS16M12	16	M12	16	20	16	35	15.5	13	104
CS19M14	19	M14	22	28	20	45	21.5	16	221
CS19M14x1.5	19	M14x1.5	22	28	20	45	21.5	16	221
CS19M16	19	M16	22	28	20	45	21.5	19	221

\*WAF: with or without spanner surface on ball socket, made as customer's request.

Form CS: with spanner surface on ball stud; with safety clip on ball socket

Form C: with spanner surface on ball stud; WITHOUT safety clip on ball socket

**Note:**

**-Material:**

Ball socket: low carbon steel

Ball stud: carbon steel 1045

safety clip/inner ring: spring steel

Alternative: stainless steel 304 or 316

-Surface treatment: passivated in zinc white-blue, zinc/black, zinc/yellow

\*Left thread or sealing cap are available. The sealing cap (neoprene) works on

-40~120°C temperature (excellent performance).

\*If you need ball joints DIN71802, Form A, AS, B, BS, please feel free to contact us.